

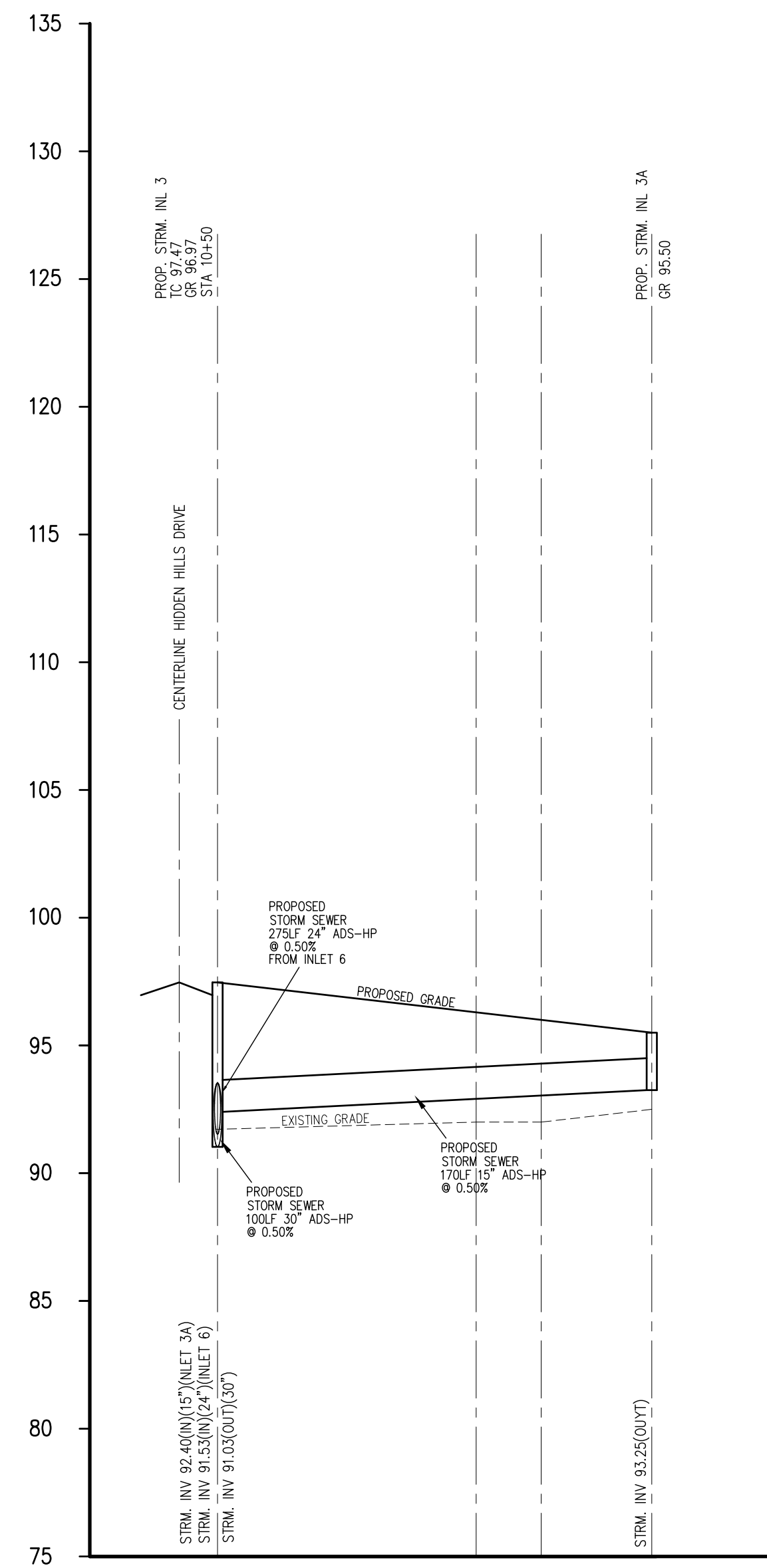
ROADWAY / UTILITY PROFILE
STA 0+00 TO 17+00
 SCALE: 1" = 50' HORIZONTAL
 1" = 5' VERTICAL

NOTE:
 BEFORE PERFORMING ANY WORK, THE CONTRACTOR SHALL CONTACT THE "DIG NUMBER: (800) 272-1000" FOR A MARK-OUT OF ALL UNDERGROUND UTILITIES. IT IS THE RESPONSIBILITY OF THE CONTRACTOR TO CONTACT THE "DIG NUMBER" AND TO ASCERTAIN THE LOCATION OF ALL UNDERGROUND CONSTRUCTION IN THE AREA OF THE PROJECT.

DANIEL W. CARUSO
PROFESSIONAL ENGINEER
 N.J.P.E. LIC. GE 35687

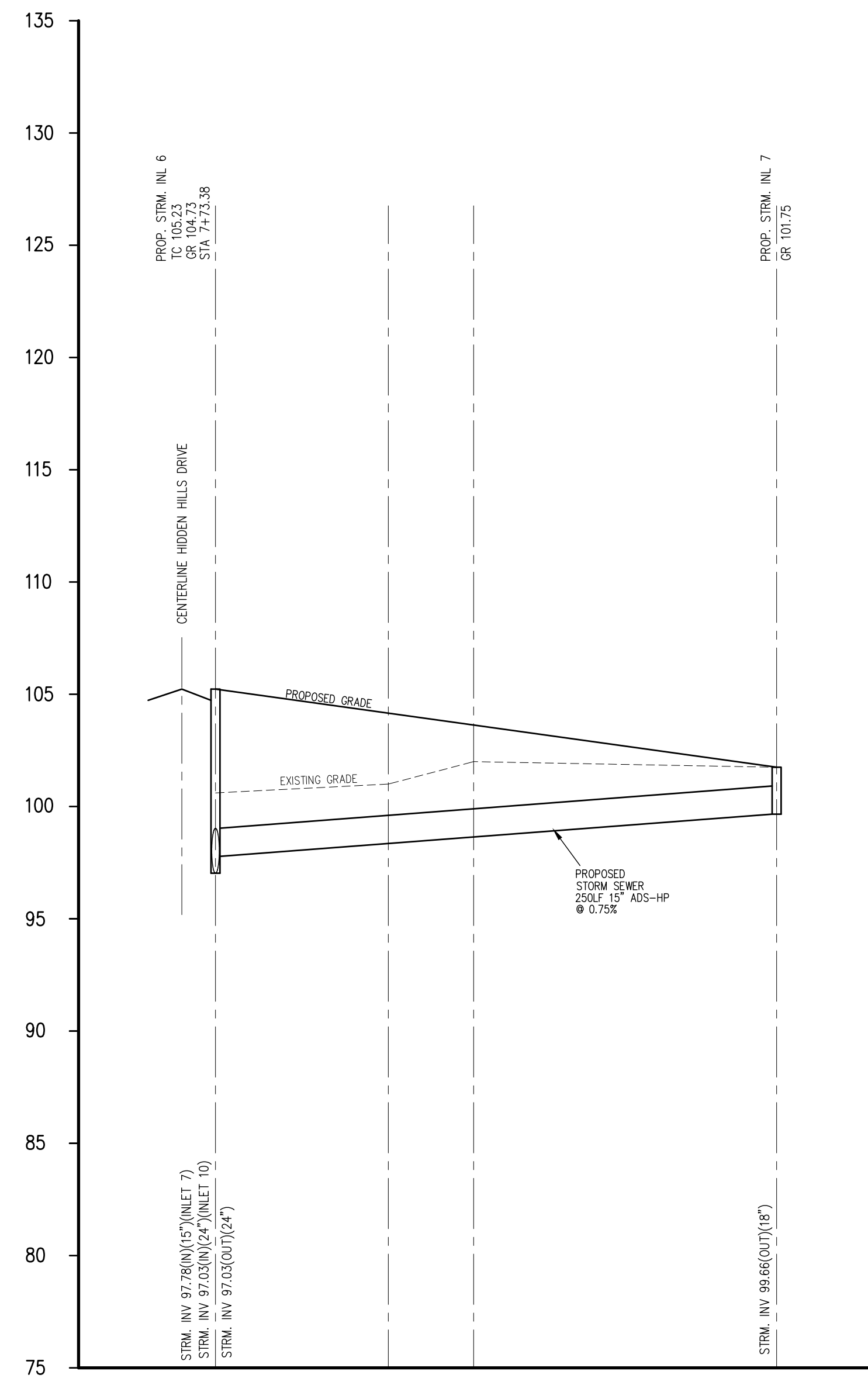
Daniel W. Caruso
 01/25/21
 DATE

NO.	REVISION	DATE	BY
DW CARUSO, INC. Professional Engineering Consultant 201 PROVINCE LINE ROAD, WRIGHTSTOWN, N. J. 08562 (609) 638-7720 <small>CERTIFICATE OF AUTHORIZATION NO. 24GAZ8043400</small>			
PROPOSED (10) LOT MAJOR SUBDIVISION HIDDEN HILLS COUNTRY ESTATES (PRELIMINARY & FINAL) FOR BLOCK 19, LOTS 28, 30 & 39.01 <small>TOWNSHIP OF MANALAPAN MONMOUTH COUNTY NEW JERSEY</small>			
ROAD PROFILE STA 0+00 TO STA 17+00			
DRAWN BY:	CHECK BY:	DATE:	SHEET NO.
N.D.C.	D.W.C.	01/25/21	5 / 20



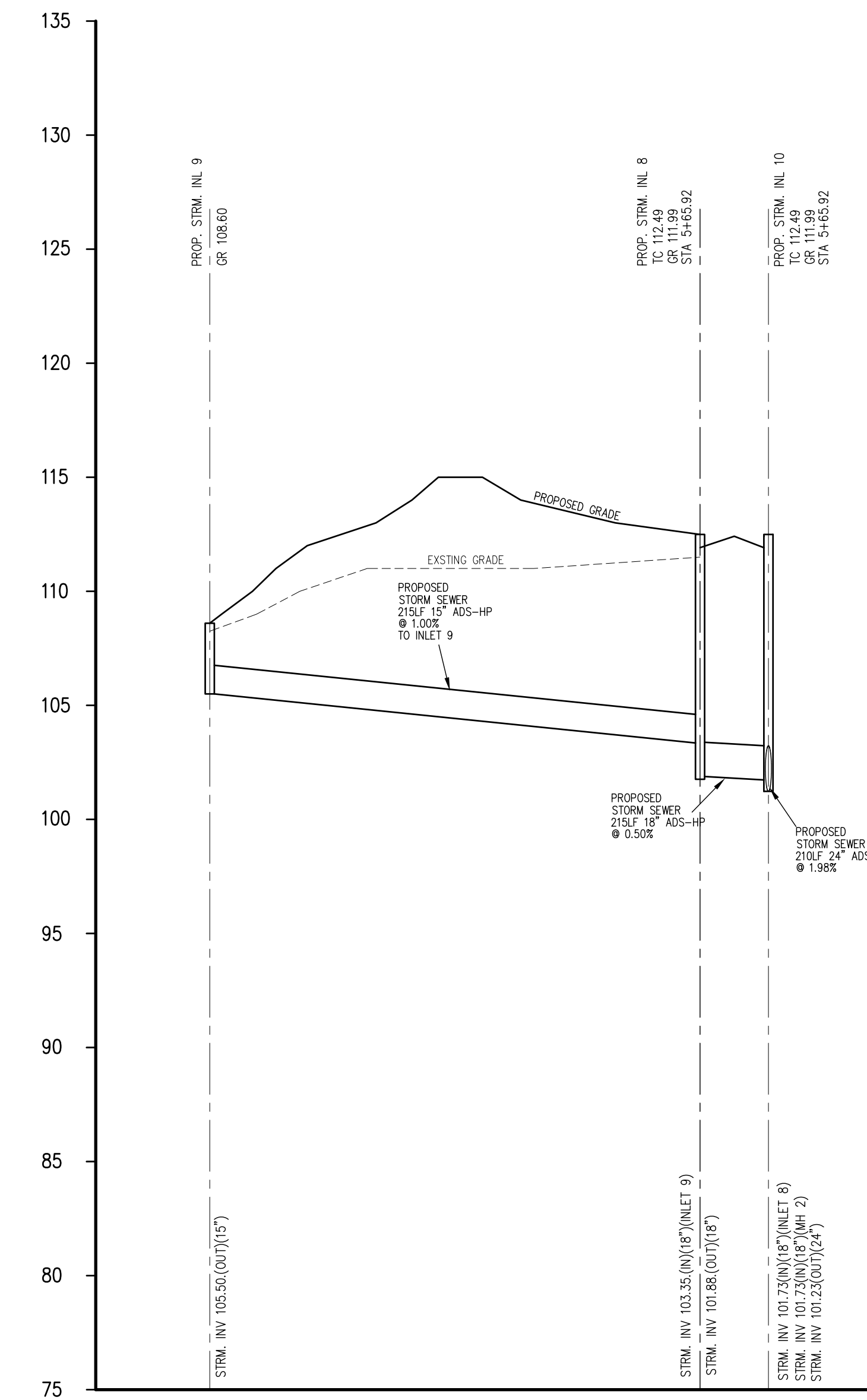
STORM SEWER PROFILE
(INLET 3A TO INLET 3)

SCALE: 1" = 50' HORIZONTAL
1" = 5' VERTICAL



STORM SEWER PROFILE
(INLET 7 TO INLET 6)

SCALE: 1" = 50' HORIZONTAL
1" = 5' VERTICAL



STORM SEWER PROFILE
(INLET 9 TO INLET 10)

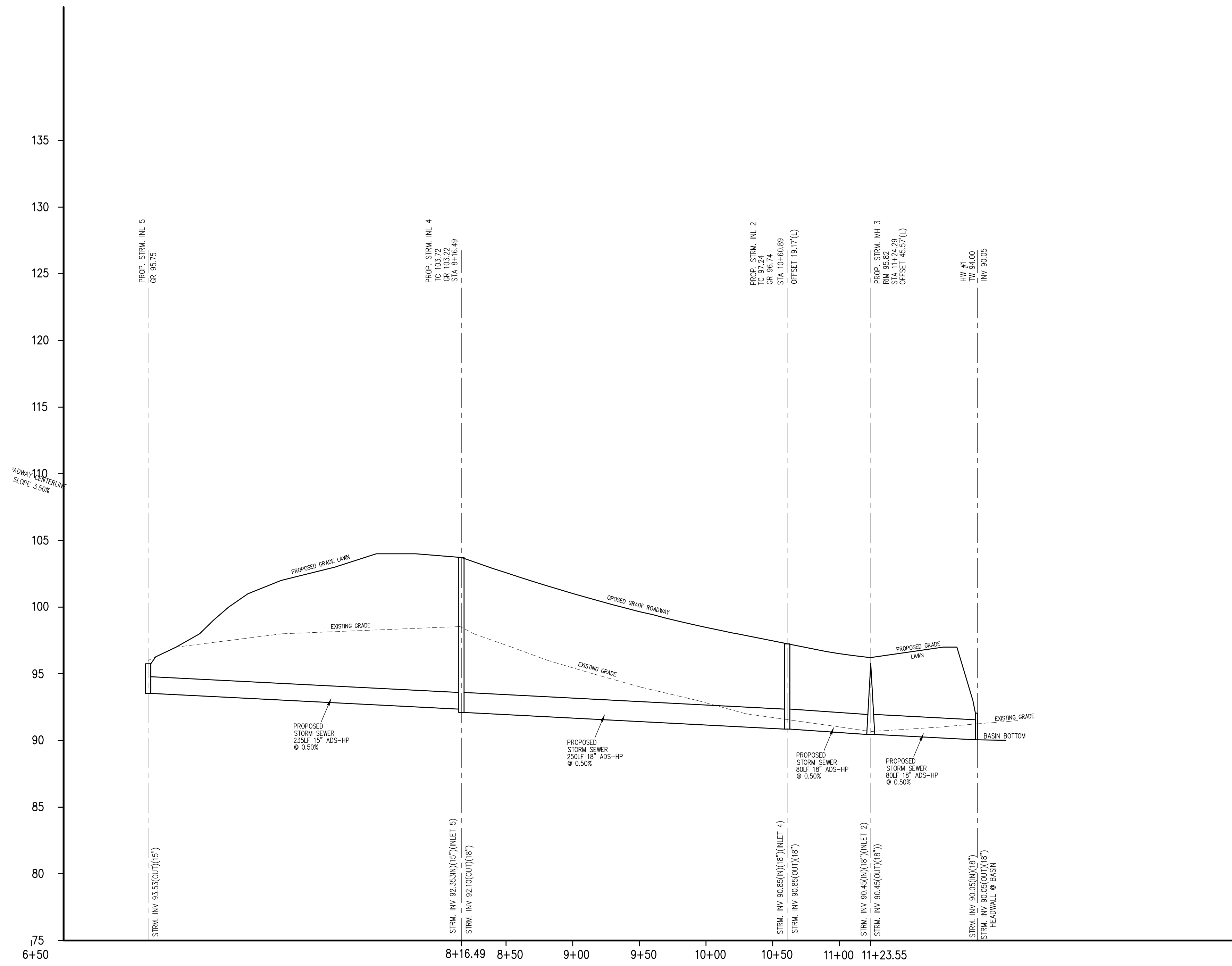
SCALE: 1" = 50' HORIZONTAL
1" = 5' VERTICAL

NOTE:
BEFORE PERFORMING ANY WORK, THE CONTRACTOR SHALL CONTACT THE "DIG NUMBER: (800) 272-1000" FOR A MARK-OUT OF ALL UNDERGROUND UTILITIES. IT IS THE RESPONSIBILITY OF THE CONTRACTOR TO CONTACT THE "DIG NUMBER" AND TO ASCERTAIN THE LOCATION OF ALL UNDERGROUND CONSTRUCTION IN THE AREA OF THE PROJECT.

DANIEL W. CARUSO
PROFESSIONAL ENGINEER
N.J.P.E. LIC. GE 35687

Daniel W. Caruso
01/25/21
DATE

NO.	REVISION	DATE	BY
DW CARUSO, INC. Professional Engineering Consultant 201 PROVINCE LINE ROAD, WRIGHTSTOWN, N. J. 08562 (609) 638-7720 <small>CERTIFICATE OF AUTHORIZATION NO. 24GA28043400</small>			
PROPOSED (10) LOT MAJOR SUBDIVISION HIDDEN HILLS COUNTRY ESTATES (PRELIMINARY & FINAL) FOR BLOCK 19, LOTS 28, 30 & 39.01 TOWNSHIP OF MANALAPAN MONMOUTH COUNTY NEW JERSEY			
STORM SEWER PROFILES (INLET 3A TO INLET 3) (INLET 7 TO INLET 6) (INLET 9 TO INLET 10)			
DRAWN BY:	CHECK BY:	DATE:	SCALE:
N.D.C.	D.W.C.	01/25/21	AS SHOWN
DWG. NO.	SHEET NO.		
20-101	7 / 20		



STORM SEWER PROFILE
(INLET 5 TO HW #1)

SCALE: 1" = 50' HORIZONTAL
1" = 5' VERTICAL

NOTE:
BEFORE PERFORMING ANY WORK, THE CONTRACTOR SHALL CONTACT THE "DIG NUMBER: (800) 272-1000" FOR A MARK-OUT OF ALL UNDERGROUND UTILITIES. IT IS THE RESPONSIBILITY OF THE CONTRACTOR TO CONTACT THE "DIG NUMBER" AND TO ASCERTAIN THE LOCATION OF ALL UNDERGROUND CONSTRUCTION IN THE AREA OF THE PROJECT.

DANIEL W. CARUSO
PROFESSIONAL ENGINEER
N.J.P.E. LIC. GE 35687

Daniel W. Caruso
01/25/21
DATE

NO.	REVISION	DATE	BY
DW CARUSO, INC. Professional Engineering Consultant 201 PROVINCE LINE ROAD, WRIGHTSTOWN, N. J. 08562 (609) 638-7720 <small>CERTIFICATE OF AUTHORIZATION NO. 24GA28043400</small>			
PROPOSED (10) LOT MAJOR SUBDIVISION HIDDEN HILLS ESTATES (PRELIMINARY & FINAL) FOR BLOCK 19, LOTS 28, 30 & 39.01 TOWNSHIP OF MANALAPAN, MONMOUTH COUNTY, NEW JERSEY			
STORM SEWER PROFILES (INLET 5 TO MH #1)			
DRAWN BY:	CHECK BY:	DATE:	SCALE:
N.D.C.	D.W.C.	01/25/21	AS SHOWN
DWG. NO.	SHEET NO.		
20-101	6 / 20		